

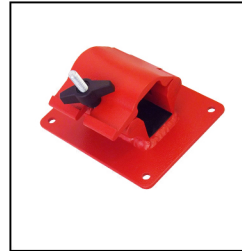


# TP143 Tripod System

## Data Sheet



ISC tripod options available



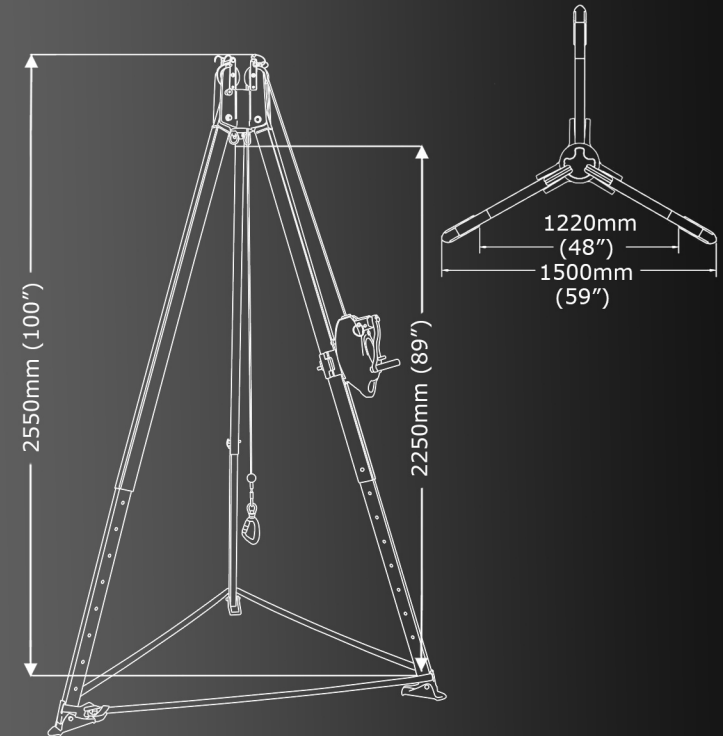
**GRB150S2\***  
GRB150 Tripod Bracket (to fit Fall Arrest Block)



**UB171\***  
15m (50ft) Heavy Duty Fall Arrest Block with Recovery Winch

\*Accessories sold separately

ISC Tripod Heads are manufactured from Cast Aluminium for strength and durability. The standard version (TP143) is fitted with two pulley wheels and removable captive pins keep the rope/wire line in place on the pulley wheel.



<b>Number of persons</b>	2
<b>Body material</b>	Aluminium
<b>Wheel material</b>	Stainless Steel
<b>Finish</b>	Powder Coated
<b>(WLL)</b>	350kg (771lb)