



RP204 Ropegrab Fixed Axle

Data Sheet



ISC Ropegrabs have a non-aggressive cam-face design which helps prevent rope wear.



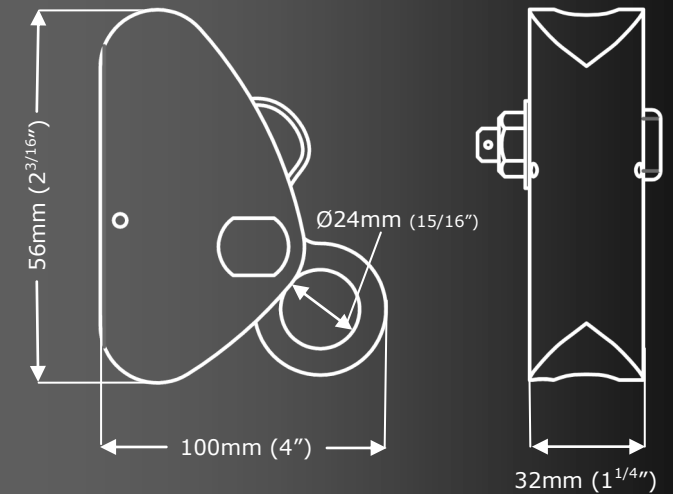
climb. work. rescue.

I|S|C

SOLUTIONS IN METAL

ISC Standard Ropegrabs are also available with removable (Pip Pin) axle (see RP205).

ISC Ropegrabs can be used on work positioning lanyard/ flielines.



Weight	300g (11oz)
Body Material	Aluminium
Finish	Anodised
Rope Size	14-16mm (9/16-5/8")
MBS	Dependant on rope type