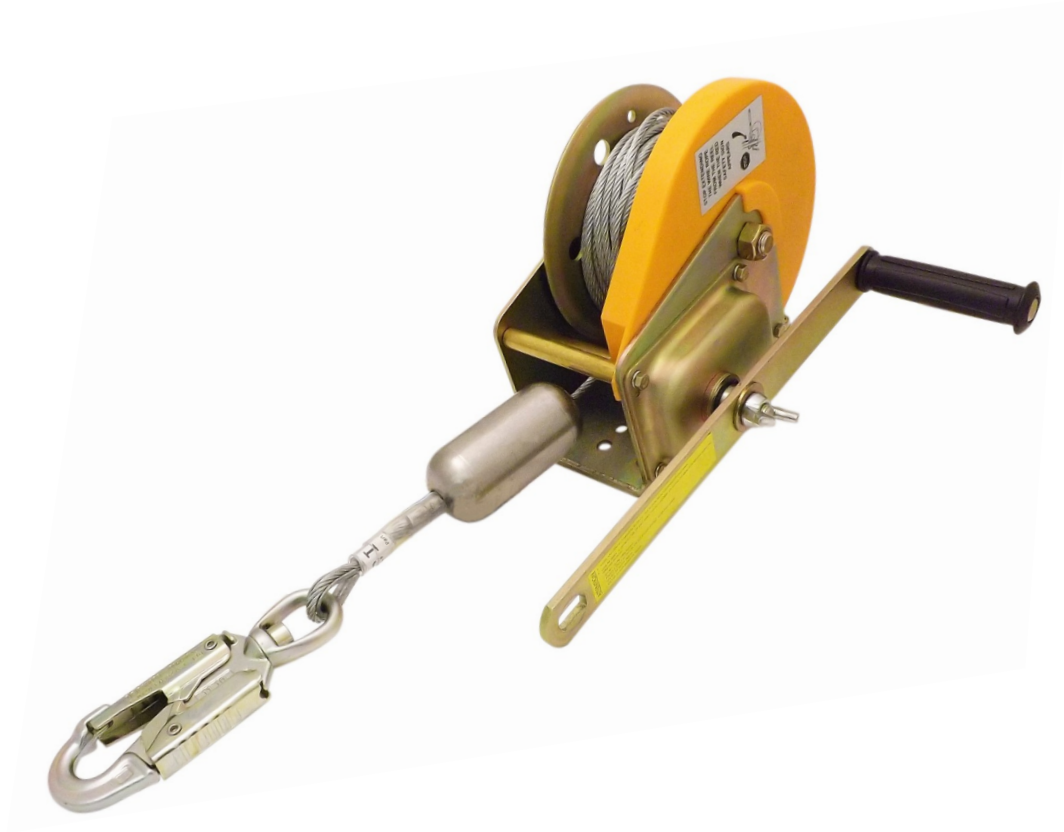


# RW020 Man-riding Winch

## Data Sheet



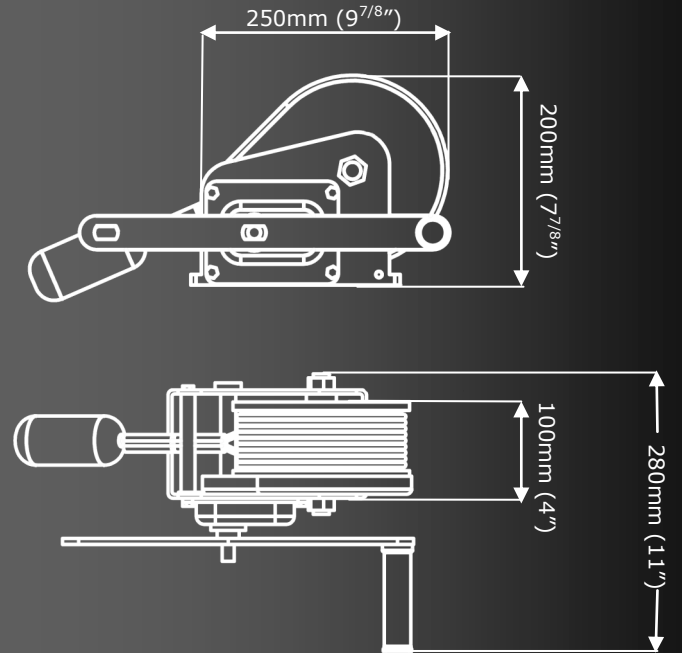
climb. work. rescue.

# I|S|C

SOLUTIONS IN METAL

The Man-riding Winch is for use in lifting and lowering applications. We manufacture a range of Tripod attachment brackets. The RW020 should always be used with a secondary back-up system.

The Man-riding Winch is fitted with a Steel Swivel eye, double-action Snaphook as standard.



<b>Weight</b>	11kg (24lbs)
<b>WLL</b>	140kg (308lbs)
<b>Working Length</b>	20m (65ft)
<b>Standards</b>	2006/42/EC (Machinery Directive)